

HZLBK Series - Portable Battery Light Kit

FOR HAZARDOUS LOCATIONS

PROJECT INFORMATION

Project Name _____

Catalog No. _____

Date _____

DESCRIPTION

The ActiveLED® 12V DC Portable Battery combines the efficiency and performance of ActiveLED technology with robust design and construction. Ideal for illuminating confined spaces where flammable gases, vapors, liquids and dusts may be present.

The portable ActiveLED explosion-proof lighting kit is specifically designed for wet and conductive environments, including petrochemical containers, grain silos and storage tanks.

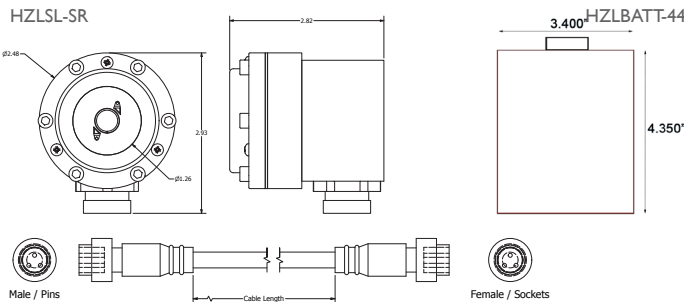
Kit includes 12V DC Output Battery and Charging Station that can be used in conjunction with ActiveLED Low Voltage Explosion Proof light fixtures being in full compliance with OSHA requirements for portable lighting in wet or conductive locations in confined spaces (1926.405(a)(2)(ii)(G)).

The ActiveLED HZLSL Hazard Light will run for 10 hours on full and another hour on reduced light output while maintaining Class I and Division I ratings.



HZLBK Series Hazardous Location Portable Battery Light Kit

DIMENSIONS



REVISION #	Part Number	Cable Length
10320030AP	54-10300303	3'
10320120AP	54-10300312	12'
10320200AP	54-10300300	80'

FEATURES

- North America - Class I, Division I Groups B, C and D - T5
- Canada - Class I, Division I, Groups C, D and - T5
- Fully enclosed Battery with approximately 10 hours runtime.
- TSA approved carry-on-case included.
- ThermalDRAW™ Cooling Technology - Patented cooling technology ensures LED components will equal or exceed warranty
- LUM-INTENSE™ - LED lighting luminaire technology that combines recent advancements in LED Modules, Drivers and Optics to deliver more Lumens per Watt in a smaller package
- Warranty - 10 Year Warranty on LED elements, fixture housing, and LED Driver. See page 2 for additional warranty information
- Intrinsically Safe voltage limited and current limited for light fixture and battery power source
- Battery double protected against short circuit on output

MOUNTING OPTIONS (Sold Separately)

NON-SPARKING MONTINGS SUITABLE FOR LIGHT AND BATTERY



Single Hook Mount



Eye Hook Mount with Handle



Magnetic Clamp Mount Standard



LIGHT OUTPUT

734 Lm

WATTS

6.5 W

LUMENS per WATT

113 Lm/W

LIGHT COLOR (CCT)

5,000 K

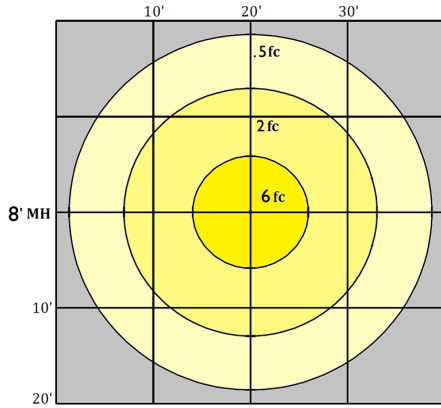
ActiveLED®
Energy Efficient Lighting and Controls



HZLBK Series - Portable Battery Light Kit

FOR HAZARDOUS LOCATION

PHOTOMETRICS



PERFORMANCE DATA

AMBIENT TEMPERATURES	0 HOURS	45,000 HOURS	90,000 HOURS
77°F (25°C)	1.00	0.99	0.99
104°F (40°C)	1.00	0.98	0.96
131°F (55°C)	1.00	0.96	0.92
140°F (60°C)	1.00	0.95	0.90

Projected Lumen Maintenance (TM-21)

NOTE: Calculated using data collected according to LM-80 lumen maintenance on the LED package.

NOTE: Photometrics shown for HZLSL single Light 6.5W only. Contact company for photometrics on other sizes.

GENERAL SPECIFICATIONS

Charger Input Voltage	Auto-Sensing 100-240 Volts AC, 50/60 Hz	Single Fixture Watt	6.5W max. limited by fixture and battery.
Input Power	30 Input Watts	LED Optics	IP66 rated, thermally bonded LEDs Patented thermal management mounting system
Power Factor	> 0.95 (at ~100-240 Volts)	CCT	4000K, or 5000K
THD	Total Harmonic Distortion (THD) <20% (typical 9%) at full load	Housing	Aluminum for all enclosures and heat sinking parts, stainless steel hardware
Driver	Integral driver with aluminum housing, integral heat sink and short circuit protection	Finish	Powder coated after fabrication
Operating Temperature	-58° F to 140° F (-50° C to 60° C)	Dimensions For Light	2.64" Height, 3.40" Wide and 2.48" Diameter (6.70cm x 8.63cm x 6.29cm)
Lumen Lifetime	L90/90K Hrs @ 60° C (90,000 Hrs with 90% Luminous Flux)	Weight	0.8 lbs. for individual light, 2.6 lbs. for Battery Charger; 0.3 lbs. for individual 6" Cord
Charger Output Voltage	12.8V-DC nominal for 4 cell LiFePO ₄ batteries only.	Kit	One Battery, one HZLSL-SR Fixture, one 6" interconnecting cable, one Magnet for HZLSL and one Magnet for Battery.

NOTE: Battery charger NOT INCLUDED! Please order separately either one channel or ten channel charger:
HZLC-I or HZLC-I0

WARRANTY

Ten (10) Year Warranty - LEDs, Fixture, and Driver shall conform to its published specifications under normal usage and operating conditions including "no light loss" of more than 10% at the end of the period. LEDs will produce at least 90% of their initial light output with no color shift after 90,000 hours of operation.

LISTINGS AND TESTS

UL844, Class I Division 1, UL1598, UL1598A, UL listed driver, CE, suitable for wet locations. RoHS compliant. IP68 Rated Driver, IP66 Rated Fixtures. LM-79 and LM-80 info available. Conforms to FCC Part 15.19 Subpart B Class A. Made in USA - ARRA Compliant.

ORDERING INFORMATION

Example: HZLB44KI-S-B0650

Series	Heads	Power Connector	BBU	Fixture Cables	CCT
HZLB44K Battery Driven Portable Lighting Kit 44Wh Battery	I 1 x HZLSL	S Standard SOOW	N No Battery Charger BI 1 Channel Battery Charger B10 10 Channel Battery Charger	06 6" Cable 12 12" Cable	50 5,000K

CAUTION: Max of 1 ActiveLED HZSL fixture per battery. These units are not self serviceable. All repairs must be carried out by the manufacturer. Do not charge batteries inside hazardous area. Only charge batteries minimum 50 feet away from hazardous area.